

FLAMEPROOF RH+T+DP CLEAN ROOM MONITOR

enviroDPMS

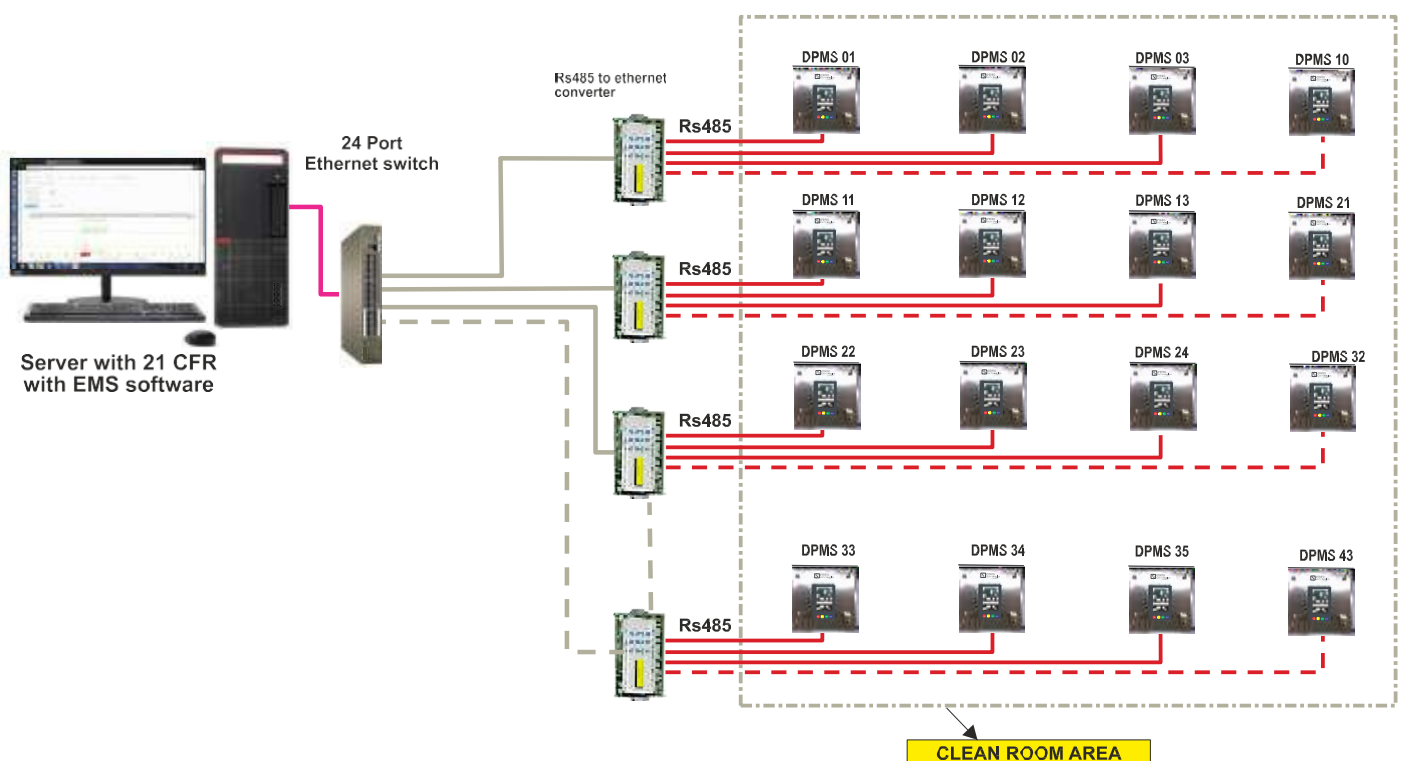
Assists in GMP and Data Integrity in multiple pharma clean rooms

FEATURES

- Microcontroller based
- RH, Temperature & DP measurement (FLAMEPROOF)
- 3.5 inch color LCD/TFT display
- Real Time Clock with battery back-up (optional)
- MODBUS multidrop communication for PLC, SCADA, etc.
- 24 VDC, 1 AMP Power Supply
- FDA 21 CFR Part 11 Compliance EMS software
(not applicable for MODBUS)
- Obtains T+RH data from PLC or SCADA software



BMS - CLEAN ROOM MONITORING SYSTEM



SPECIFICATIONS

All specifications at ambient of 25 °C, unless specified otherwise

INPUTS		
No. of inputs		3 (RH, T, DP)
Input RH		a) 0-1 VDC b) 4~20 mA c) In-built Digital RH + T Sensor
Input T		a) PT-100 b) 0-1 VDC c) 4~20 mA e) In-built Digital RH + T Sensor
Input DP		a) 0-1 VDC b) 4~20 mA c) In-built digital DP sensor
Input AHU		Potential free digital input
Input Range	%RH	0~100% RH
	Temperature	PT-100: -90°C ~ 390°C (user selectable) Digital: 0°C ~ 100°C (user selectable)
	DP	-250 ~ 900Pa, -25 ~ 90 mmWC (user selectable)
Accuracy		
	For In-built Sensors	
	%RH	± 2% RH
	Temperature	± 0.3 °C
	DP	± 1.5% of reading ± 5 Pa, ± 1.5% of reading ± 0.5 mmWC
	For External Sensor	
	%RH	± 2% RH (depending on sensor)
	Temperature	± 0.5% (depending on sensor)
	DP	± 0.5% (depending on sensor)
INDICATION		
Display type		3.5 inch color LCD/TFT display
OUTPUTS		
Buzzer output		External Potential free relay output for Buzzer
CLOCK		
Real time clock		Available Available
Battery backup		(Optional)
ENCLOSURE		
Construction		
	Material	Die Cast Aluminium Alloy LM-6
	Faceplate	SS304 (optional)
	Certification	Flameproof for Gas Groups, IIA/IIB, Zone 1&2
	Protection	IP55
Dimensions (in mm)		Without Plate - 210(W)x210(H)x50(D) With Plate - 260(W)x250(H)x60(D) mm
Mounting		
	Modular Puff Panel	a) 50 mm or above b) 100 mm or above
Cutout (in mm)		225(W) x 225(H)
COMMUNICATION		
System		32 bit MCU
CPU		
Communication Interface		RS485/TCP-IP LAN/4-20mA output (as per product selection)
Communication		
Protocol		MODBUS, Enviro Proprietary
Slave ID		User programmable, 1~128
Parameters (ONLY MODBUS)		
Process Variables		Read only
Setpoints		Read & write from the host computer
Alarm Status		Read only
Hysteresis		Read & write from the host computer
Alarm Activation Delay		Read & write from the host computer
Power On Activation Delay		Read & write from the host computer
RTC Synchronization		Read & write from the host computer
PROGRAMMABLE PARAMETERS		
Setpoint		
	% RH	0 ~ 100
	Temperature	-40.0 ~ 90.0 °C
	DP	-19.9 ~ 19.9 mmWC -199 ~ 199 Pa
Resolution		0.1 for RH & T 0.1 for DP unit mmWC 1 for DP unit Pa
Hysteresis		User selectable
Alarm activation delay		User selectable, 0~250
Setpoint lock		min Password Protected
OTHER		
Programming		Through Capacitive Touch keypad 24 VDC, 1 amp
Supply voltage		0~50 °C
Operating ambient temperature		Below 90%, non condensing
Relative humidity		
SOFTWARE FEATURES		
Software Architecture		Multiple Cleanrooms & Multiple Plants can be monitored centrally
Alarm & Alerts		Alarms & Alerts by way of Pop-ups, Email & SMS can be sent to multiple authorities
Interface		Cloud Enabled Web Interface
Database		SQL Server
Audit Trail		Database (SQL) & GUI both supports audit trail
Reports		Audit Report, MIS Reports, Alarm Report & Graphs for audit & analysis. Also value added customization of reports is possible

We help pharma companies in GDP, GMP & 21 CFR compliance....

- With enviroDPMS & its EMS software it is now possible to simultaneously & accurately monitor DP, RH & Temperature in multiple clean rooms in the Pharma plant, with due Data integrity about the logging of these parameters.
- The clean room door open/close event is closely monitored & duly logged for any DP changes which are correlated for audits.
- In event of any deviations pop-up alarms are generated on the monitor of central administrator along with text message & email to concerned officials also a hooter alarm is generated in the corridor.
- Feature Rich MIS reports are generated in PDF format in compliance with the 21 CFR guidelines of the US FDA thereby assuring accuracy & Data integrity.

Note: All specifications are subject to change without notice due to continuous improvements.

Enviro technologies

Bhumi World Industrial Park, D-7/250-252,
Pimplas, Bhiwandi, Thane, MH-421302, INDIA.
Boardline: +91-9594-030-093
E-mail: enquiry@enviroworld.in | Web: www.enviroworld.in

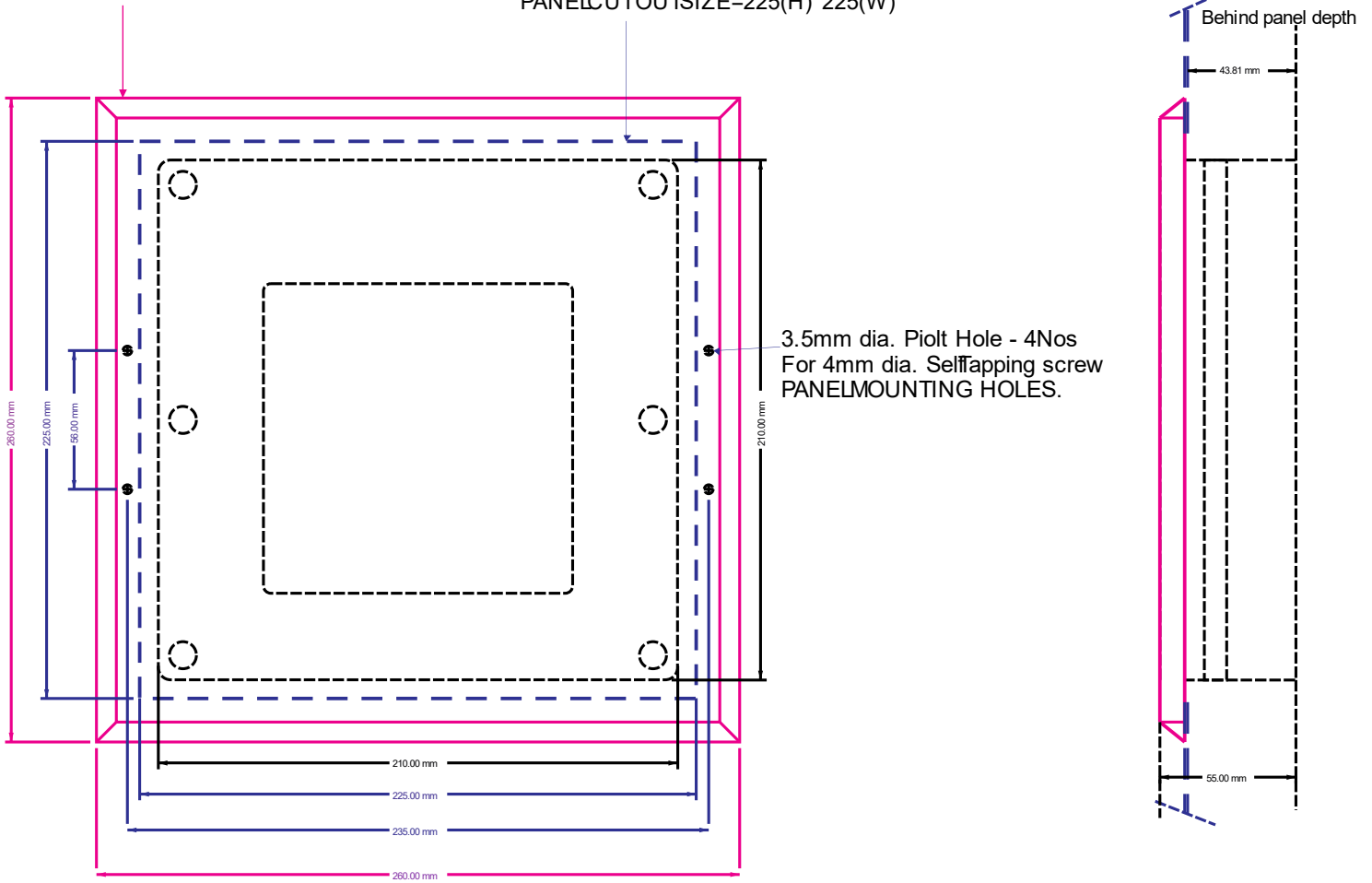
We proudly champion



ETF Series(flameproof)

SS FRONPLATE

PANELCUTOOUTSIZE=225(H)*225(W)



Connector Details

