

## enviroDIS (FLP)

Flameproof DIS

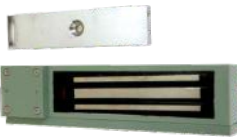


Flameproof DIS Enclosure

Emergency Switch



Touch Facia Plate



Flameproof EML

### KEY BENEFITS :

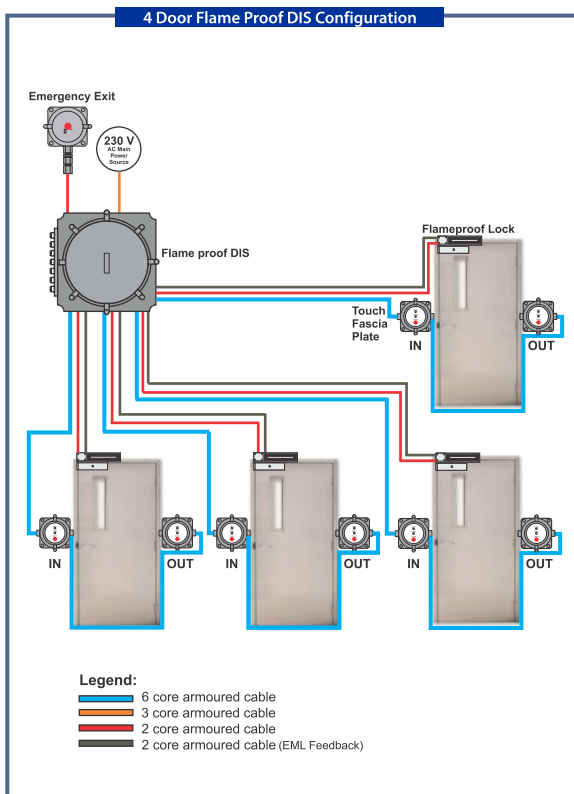
- Easy and quick installation.
- Suitable for current GMP norms for clean room.
- Specially Design for Hazardous Area like Bulk Drug, API etc.
- Key Board Available in contact less I/R reader or with access card reader as per application demands in Flameproof Enclosure
- Advanced design as per clean room concept.
- Maintenance free control panel with reliable and easily available components.
- Only manually reset able emergency mode to defeat interlocking system as per safety norms.
- Powerful electromagnet in Flameproof Enclosure.
- Feature of Expiry Date to restrict contract basis employees and vendors etc.

### Technical Specifications



#### Flameproof DIS Enclosure:

Particular	Specification
Type of Protection	Flameproof Ex'd
Areas Classification	Zone 1 & 2
Dimension	390(H)x330(W)x130(D)
Gas Groups	IIA & IIB, T6
Material of Construction	Aluminum LM6
IP Protection	IP 66 Confirming to IS:12063
Structure Gasket	"O" ring Type Neoprene
Tolerance	10 to 15 mm
Certification	CIMFR (Dhanbad) , ATEX, NSIC , ISO



#### DIS Emergency Exit



Particular	Specification
Type	Momentary
Contact output	NO, NC, Com Contact
Cable Entry (Glands)	3/4" ET : 2 Nos.
Degree of Protection	IP-65
Protection level	Flame, Tamper & Weather proof (Apprv. by CIMFR Dhanbad)
Suitable Zones & Gas Groups	Zone 1 & 2 area & Gas Group: I, IIA, IIB Neoprene
MOC	Aluminum Alloy LM-6
Dimension (Flameproof Enclosure)	100*100*80mm

#### Single Leaf Flameproof EML Monitored Lock



Particulars	Specification
Operating Voltage	12 VDC
Current Draw	500 mA
Holding Force	Upto 600 LBS
Degree of protection	IP-65
Protection level	Flame, Tamper & Weather proof (Apprv. by CIMFR Dhanbad)
Suitable Zones & Gas Groups	Zone 1 & 2 area & Gas Group: I, IIA, IIB Neoprene
Mounting Type	Surface
MOC	Aluminum Alloy LM-6
Led Indication	Yes
Built-in-feedback	Yes
Weight-Magnet/Armature Plate	Approx. 2Kg
Dimensions	Magnet - 340 X 60 X 35 mm (W*H*D) Armature - 160 X 38 X 9 mm (W*H*D)

#### DIS Capacitive Sense Touch Facia Plate Switch



Particular	Specification
Type	Capacitive Touch Proximity Sensing
LED Indication	Door Open - Green Door Lock - Red
Alarm output	1 Buzzer Output for Alarm
Cable Entry (Glands)	3/4" ET : 2 Nos.
Degree of Protection	IP-65
Protection level	Flame, Tamper & Weather proof (Apprv. by CIMFR Dhanbad)
Suitable Zones & Gas Groups	Zone 1 & 2 area & Gas Group: I, IIA, IIB Neoprene
MOC	Aluminum Alloy LM-6
Dimension (Flameproof Enclosure)	100*100*80mm