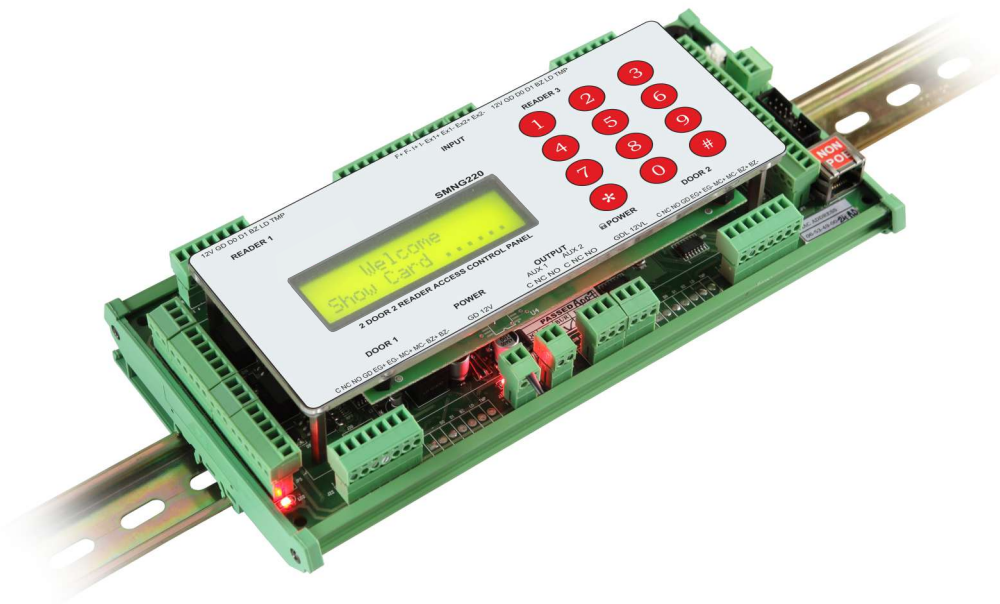


# smartXS NG



## DESCRIPTION:

The versatile Interface makes the device technically very strong & user friendly. It gives tremendous freedom to use the infrastructure, either existing or planned.

The Device has an inbuilt capability for an online up gradation of the firmware.

Alarm management Software module for security audit or to verify/identify tailgating, made effective by Alert based network protocol implemented in smartXS-NG.

smartXS-NG has inbuilt configurable door interlocking facility so that if one door is open, some or all of the other three will remain closed.

The Logic can be defined by the user on site through the controller Keypad.

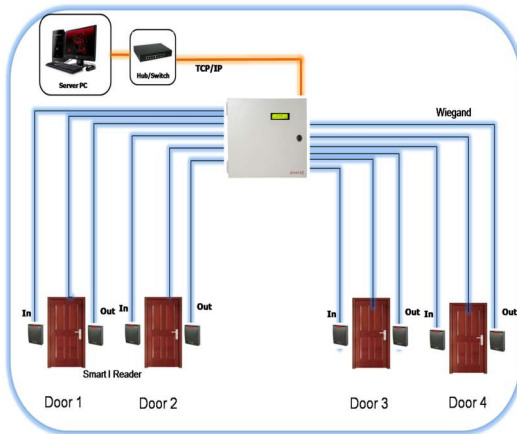
## KEY BENEFITS :

- 32 Bit RISC Arm processor
- Cost effective solution for critical area where, OUT reader is mandatory as it supports IN / OUT both readers.
- Inbuilt configurable door interlocking facility.
- CCTV / IP camera integration with access events for security audit
- DIN RAIL mounting option available.

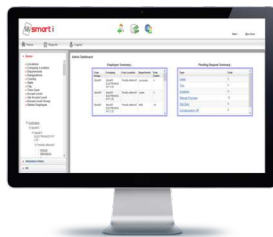
Technical Specifications

Specifications	SMNG240	SMNG480
CPU	ARM 32 Bit RISC Processor	
Memory	Up to 8 MB (Flash)	
No of Door/Reader	2/4	4/8
Events/Transactions	60,000	
No. of Users	30,000	
Reader Interface	Wiegand (Up to 34 bit)	
Input	6 inputs (2-D, 2-E, 1-F & 1-Intr.)	12 inputs (4-D, 4-E, 1-F & 1-Intr.)
Output	4 outputs (2-DOTL, 2-Lock)	8 outputs (4-DOTL, 4-Lock)
Communications Port	TCP/IP, RS485	
LCD	16X2 LCD Display	
Keypad	4X3 Key with soft keypad	
Power Supply	12 V DC / 5A	
Enclosure	Industry Standard Metal Enclosure	
Mounting	Din Rail or Wall Mounting (With Metal Enclosure)	
Dimension(LxHxW)	NA	
Tailgati	NAng Device	

Connection Diagram



Software:



Web-Based Access Management Software

